

YOKE[®]

Safety is our first priority





YOKE Lifting Point Working Load Application

number of leg	1	2	1	2	2	2	2	3-4	3-4	3-4	
load direction	0°	0°	90°	90°	0-45°	45-60°	unsymm.	0-45°	45-60°	unsymm.	
Item NO.	Thread	WLL tonnes*									
8-211-003	M 8	0.3	0.6	0.3	0.6	0.42	0.3	0.3	0.63	0.45	0.3
8-211-006	M10	0.63	1.26	0.63	1.26	0.88	0.63	0.63	1.32	0.95	0.63
8-211-010	M12	1	2	1	2	1.4	1	1	2.1	1.5	1
8-211-012	M14	1.2	2.4	1.2	2.4	1.7	1.2	1.2	2.5	1.8	1.2
8-211-015	M16	1.5	3	1.5	3	2.1	1.5	1.5	3.1	2.2	1.5
8-211-020	M18	2	4	2	4	2.8	2	2	4.2	3	2
8-211-025	M20	2.5	5	2.5	5	3.5	2.5	2.5	5.2	3.7	2.5
8-211-040	M24	4	8	4	8	5.6	4	4	8.4	6	4
8-211-042	M27	4	8	4	8	5.6	4	4	8.4	6	4
8-211-050	M30	5	10	5	10	7	5	5	10.5	7.5	5
8-211-070	M36	7	14	7	14	9.8	7	7	14.7	10.5	7
8-211-080	M36	8	16	8	16	11.2	8	8	16.8	12	8
8-211-100	M42	10	20	10	20	14	10	10	21	15	10
8-211-150	M42	15	30	15	30	21	15	15	31.5	22.5	15
8-211-200	M48	20	40	20	40	28	20	20	42	30	20

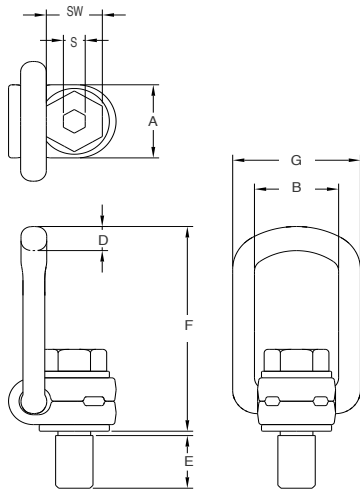
★ $\beta \leq 60^\circ$

number of leg	1	2	1	2	2	2	2	3-4	3-4	3-4	
load direction	0°	0°	90°	90°	0-45°	45-60°	unsymm.	0-45°	45-60°	unsymm.	
Item NO.	Inch	WLL lbs									
8-212-010	1/2	2200	4400	2200	4400	3080	2200	2200	4620	3300	2200
8-212-015	5/8	3300	6600	3300	6600	4620	3300	3300	6930	4950	3300
8-212-020	3/4	5500	11000	5500	11000	7700	5500	5500	11550	8250	5500
8-212-025	7/8	5500	11000	5500	11000	7700	5500	5500	11550	8250	5500
8-212-040	1	8800	17600	8800	17600	12320	8800	8800	18480	13200	8800
8-212-050	1 1/4	11000	22000	11000	22000	15400	11000	11000	23100	16500	11000
8-212-080	1 1/2	17000	34000	17000	34000	23800	17000	17000	35700	25500	17000
8-212-150	1 3/4	33000	66000	33000	66000	46200	33000	33000	69300	49500	33000
8-212-200	2	44000	88000	44000	88000	61600	44000	44000	92400	66000	44000

★ $\beta \leq 60^\circ$

Worldwide Quality Type Approval and Certificate





Lifting Point, Metric thread

Item No.	Working Load Limit tonnes*	Torque In Nm	Bolt Size	Dimensions (mm)								Repair Kits	N.W. Kg
				B	E	A	G	D	F	S	SW		
8-211-003	0.3	30	M 8 x 1.25 x 45	35	13	30	55	10	85	6	13	8-P211-003	0.2
8-211-006	0.63	60	M10 x 1.50 x 50	35	18	30	55	10	85	8	17	8-P211-006	0.3
8-211-010	1	100	M12 x 1.75 x 60	37	21	33	57	13.5	98	8	19	8-P211-010	0.5
8-211-012	1.2	120	M14 x 2.00 x 60	37	21	33	57	13.5	98	10	24	8-P211-012	0.5
8-211-015	1.5	150	M16 x 2.00 x 65	37	25	33	57	13.5	98	10	24	8-P211-015	0.5
8-211-020	2	200	M18 x 2.00 x 75	54	28	50	82	16.5	140	12	30	8-P211-020	1.3
8-211-025	2.5	250	M20 x 2.50 x 80	54	32	50	82	16.5	140	12	30	8-P211-025	1.3
8-211-040	4	400	M24 x 3.00 x 85	54	37	50	82	16.5	140	14	36	8-P211-040	1.4
8-211-042	4	400	M27 x 3.00 x 110	65	44	60	99	22.5	170	17	41	8-P211-042	2.8
8-211-050	5	500	M30 x 3.50 x 115	65	49	60	99	22.5	170	17	46	8-P211-050	3.1
8-211-070	7	700	M36 x 4.00 x 125	65	56	60	99	22.5	178	22	55	8-P211-070	3.3
8-211-080	8	800	M36 x 4.00 x 140	85	57	77	124	26.5	225	22	55	8-P211-080	5.8
8-211-100	10	1000	M42 x 4.50 x 150	85	66	77	124	26.5	225	24	65	8-P211-100	6.3
8-211-150	15	1500	M42 x 4.50 x 160	104	63	95	158	36	261	24	65	8-P211-150	10.9
8-211-200	20	2000	M48 x 5.00 x 170	104	73	95	158	36	261	27	75	8-P211-200	11.6

Lifting Point, UNC thread

Item No.	Working Load Limit Lbs*	Torque In ft-Lbs	Bolt Size	Dimensions (inch)								Repair Kits	N.W. Lbs
				B	E	A	G	D	F	S	SW		
8-212-010	2200	73	1/2 - 13 x 2.3	1.46	0.84	1.30	2.24	0.53	3.86	3/8	3/4	8-P212-010	1.0
8-212-015	3300	110	5/8 - 11 x 2.5	1.46	1.02	1.30	2.24	0.53	3.86	1/2	15/16	8-P212-015	1.1
8-212-020	5500	185	3/4 - 10 x 3.0	2.13	1.29	1.97	3.23	0.65	5.51	5/8	1 1/8	8-P212-020	2.8
8-212-025	5500	221	7/8 - 9 x 3.3	2.13	1.47	1.97	3.23	0.65	5.51	3/4	1 5/16	8-P212-025	2.8
8-212-040	8800	295	1 - 8 x 3.5	2.13	1.67	1.97	3.23	0.65	5.51	3/4	1 1/2	8-P212-040	3.1
8-212-050	11000	368	1 1/4 - 7 x 4.5	2.56	1.93	2.36	3.90	0.89	6.69	7/8	1 7/8	8-P212-050	6.5
8-212-080	17000	585	1 1/2 - 6 x 5.5	3.35	2.26	3.03	4.88	1.04	8.86	1	2 1/4	8-P212-080	12.7
8-212-150	33000	1107	1 3/4 - 5 x 6.5	4.09	2.69	3.74	6.22	1.42	10.28	1 1/4	2 5/8	8-P212-150	24.0
8-212-200	44000	1476	2 - 4.5 x 7	4.09	3.28	3.74	6.22	1.42	10.28	1 1/2	3	8-P212-200	25.5



YOKE INDUSTRIAL CORP.

39, 33rd Road,
Taichung Industrial Park,
Taichung 407,
TAIWAN
Tel:+886-4-2350-8088
Fax:+886-4-2350-1001
E-mail: info@mail.yoke.net

<http://www.yoke.net>